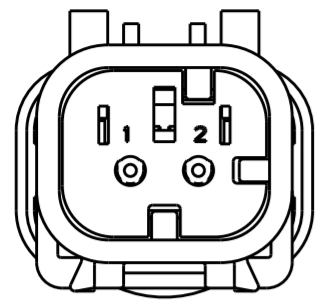
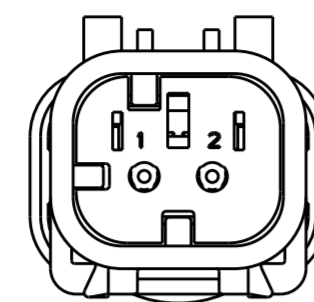


THIS DRAWING IS UNPUBLISHED. RELEASED FOR PUBLICATION
 © COPYRIGHT 20 BY - ALL RIGHTS RESERVED.

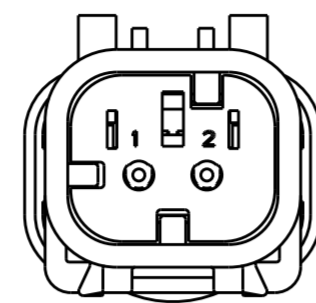
REVISIONS				
P	LTR	DESCRIPTION	DATE	APVD
D		REVISED PER ECO-13-019067	05DEC2013	DR RB



776534-2
SCALE 2:1
KEY B



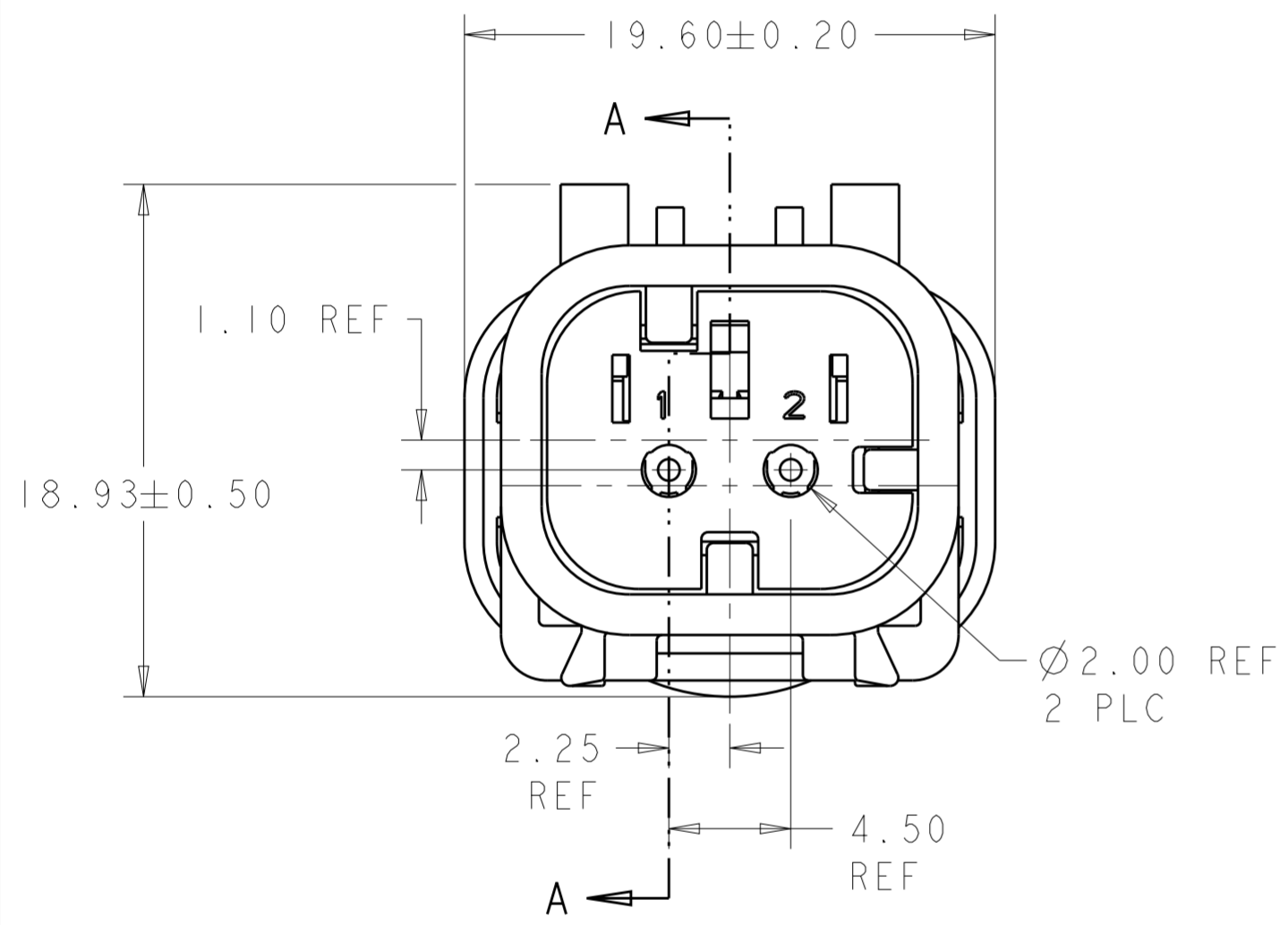
776534-3
SCALE 2:1
KEY C



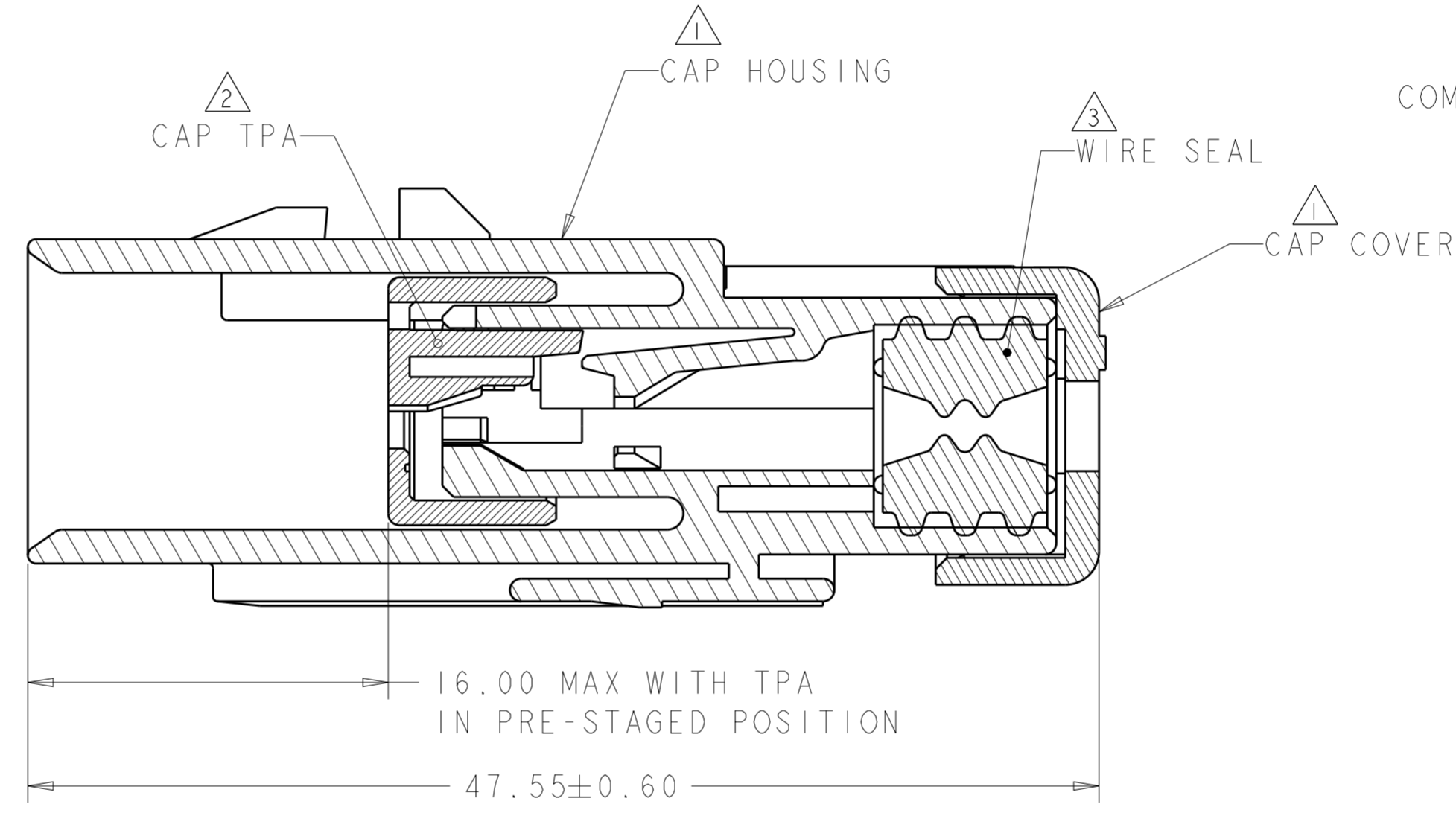
776534-4
SCALE 2:1
KEY D

- 1 MATERIAL: 15% GLASS FILLED THERMOPLASTIC
COLOR: BLACK
- 2 MATERIAL: 15% GLASS FILLED THERMOPLASTIC
COLOR: (SEE TABLE)
- 3 MATERIAL: SILICONE
COLOR: LIGHT GRAY

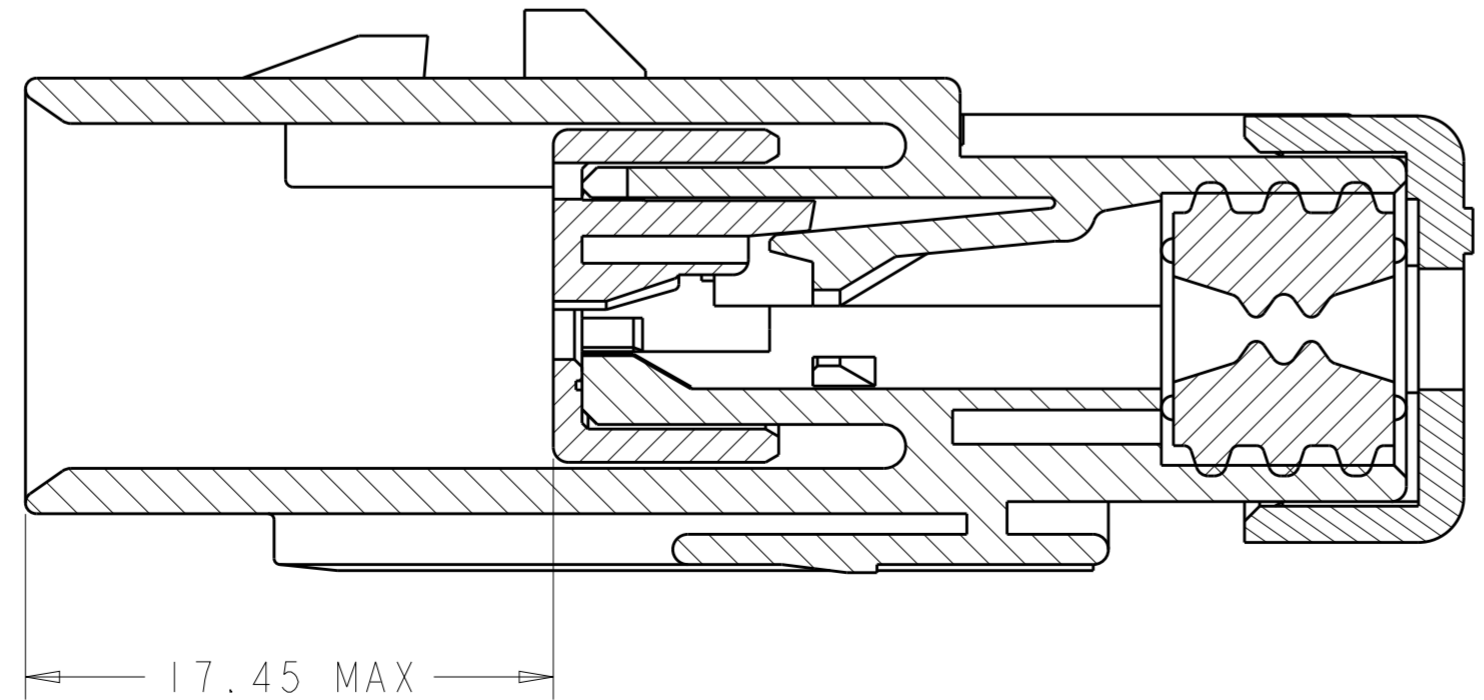
4. RECOMMENDED WIRE DIAMETER RANGE IS 1.30 TO 2.54mm



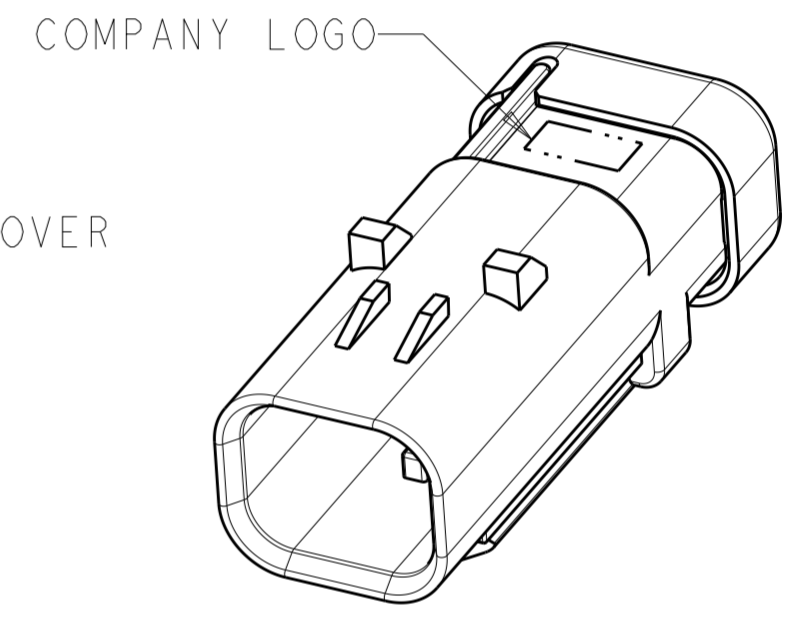
776534-1 SHOWN
KEY A



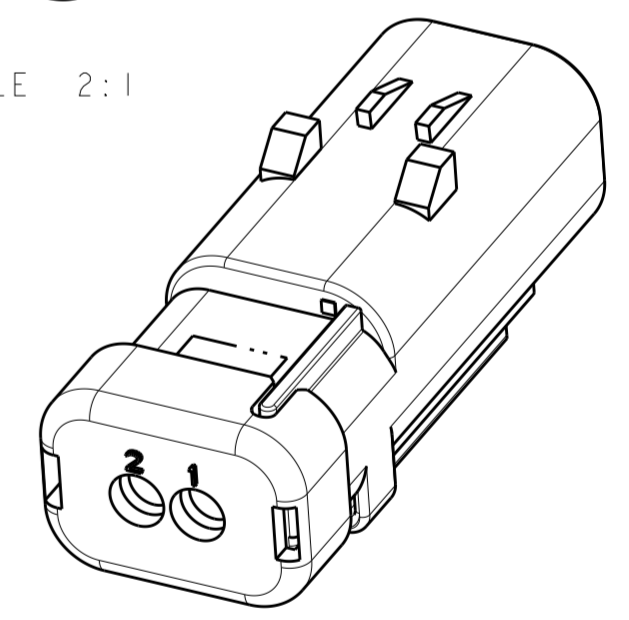
SECTION A-A



SECTION A-A
WITH TPA IN CLOSED POSITION



SCALE 2:1



SCALE 2:1

D	GREEN	776534-4
C	YELLOW	776534-3
B	GRAY	776534-2
A	RED	776534-1
KEY	TPA COLOR	PART NUMBER

THIS DRAWING IS A CONTROLLED DOCUMENT.		DWN Y. PETERSON 22FEB00	STE TE Connectivity	
DIMENSIONS: mm		CHK R. GREINER 11DEC01		
TOLERANCES UNLESS OTHERWISE SPECIFIED:		APVD M. TRULLI 11DEC01	NAME CAP ASSEMBLY, 2 POSITION, SINGLE ROW, REDUCED DIA WIRE SEAL, AMPSEAL 16	
0 PLC	±	PRODUCT SPEC 108-2184	SIZE CAGE CODE DRAWING NO RESTRICTED TO	
1 PLC	±	APPLICATION SPEC 114-13065	A200779 C-776534	
2 PLC	±	WEIGHT 9	SCALE 4:1 SHEET OF REV D	
3 PLC	±	Customer Drawing		
4 PLC	±			
ANGLES	±			
FINISH	-			